

以太网滑环

Ethernet Slip Ring

特点 Features

- 为高速率数据和无错传输协议设计，满足各类网络信号、高清视频信号、差分信号和工业以太网信号传输需求

Designed for high rate and error free transmitting protocols, can transmit all kinds of Ethernet signals, high-definition video signals, differential signals.

- 数据传输稳定、不丢包、不串码、回损小、插入损耗小，具有超低的误码率和超高的信噪比

Stable data transmission, no packet loss, low return loss, low insertion loss, extremely low error rate and super high SNR

- 可混合动力、控制及数字信号传输，可混合光纤、气液传输 The solution can combine hybrid of power, control& digital signal, fiber optic, gas-liquid.

- 独家专利纤刷、镀层技术，低接触压力，低噪音和低接触磨损，免维护，超长使用寿命

Applies advanced fiber brush and coating technology, low contact pressure, low noise, low contact wear; free of maintenance, extremely long life-time

- 标准化、模块化设计，产品规格齐全，并能为客户量身定制所需要的产品 Standardized & modularized design; customized solutions are also available

可选项Options

- 路数：1~96路 circuit: 1~96 circuits
- 信号类型signal type:
 - 串行通信serial communication: RS232、RS422、RS485
 - 工业总线industrial bus: CANBus、Profibus、Lonworks
 - 以太网Ethernet: 100M Base T、1000M Base T
- 接口类型：标准RJ45、工业接口等 connector type: Standard RJ45 connector, industrial connector etc
- 导线类型、规格、长度定制 wire type, gauge, length
- 高压、大电流定制 high voltage, high current
- 特殊环境定制：防震、高温 special condition: High temperature, shockproof
- 测试标准Test standard: CAT5, CAT5e, CAT6

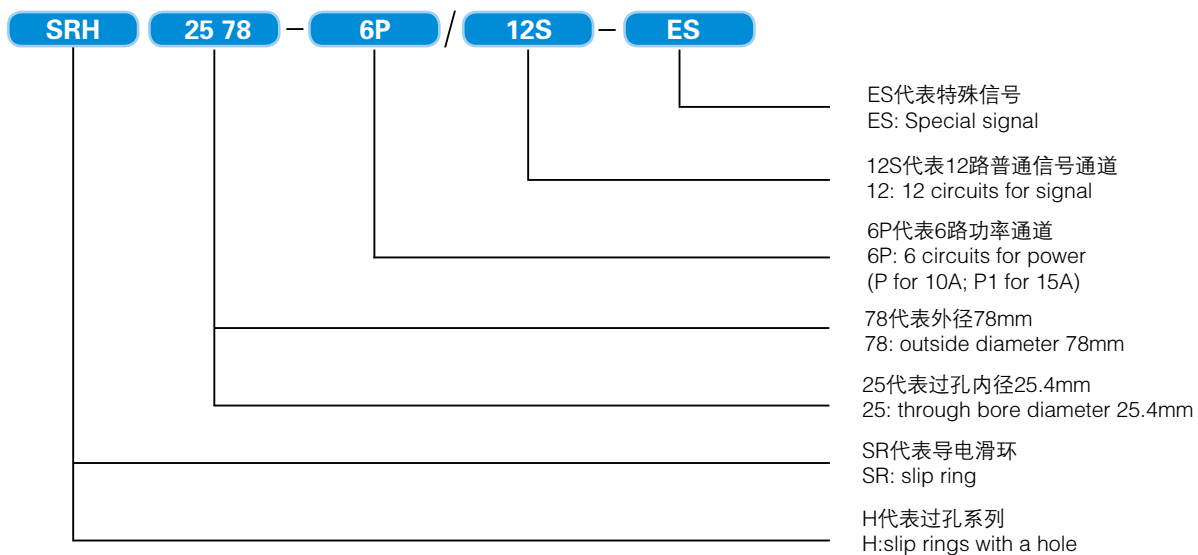
典型应用 Typical Application

- 高清视频监控、串口通讯、工业自动化控制
 - high-definition video surveillance, serial communication, industrial automatic control
- 各类网线电缆和接口的传输

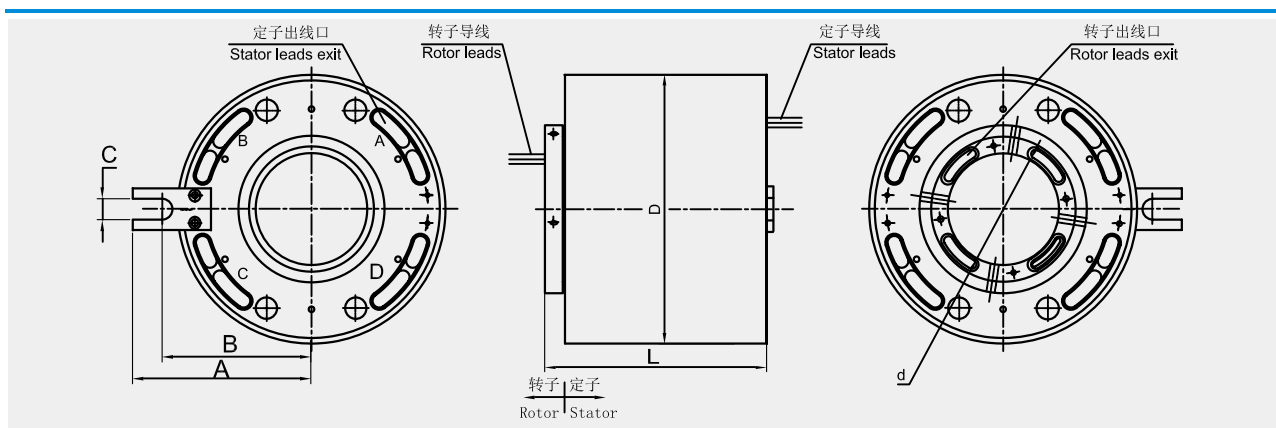
The transmission for all kinds of Ethernet cable and connector

型号选用说明

Model explanation



外形尺寸 Outline Dimension



过孔孔径 d (mm)	外径 D (mm)	A (mm)	B (mm)	C (mm)	长度 L (mm)
12.7	54	35	30.25	6.5	按客户要求可选 As request
25.4	78	54.5	44.25	9.5	
38.1	99	64.5	54.25	9.5	
50	120	80	66.8	9.5	
60	135	97.5	74.25	9.5	
70	155	96.5	83.25	9.5	
80	180	116.5	100.5	12.8	
90	190	123	107	12.8	
100	203	131	115	12.8	
120	外形尺寸可定制 Outline dimension as request				

电气技术指标 Electrical data

参数 Specification	数值 Values
额定电压 Rated Voltage	240VAC / VDC
额定电流 Rated Current	标准每环为2A 2A/ring
导线规格 Lead Size	CAT5、CAT5e、CAT6、CAT7
导线长度 Lead length	标准500mm Standard 500mm
绝缘电阻 Insulation Resistance	$\geq 500\text{M}\Omega/500\text{VDC}$
绝缘体强度 Dielectric Strength	500VAC@50Hz, 60s
动态电阻变化值 Electrical Noise	$\leq 10\text{m}\Omega$
误码率 BER	10^{-11}
插入损耗 Insert Loss	$\leq 2\text{db}$

机械技术指标 Mechanical data

参数 Specification	数值 Values
通道数 Circuits	一路或更多 (1 or more)
额定转速 Operating Speed	0 ~ 250 / 500rpm
工作温度 Temperature Range	-20°C ~ +80°C
工作湿度 Operating Humidity	60%RH 或更高 60%RH or higher
接触材料 Contact Material	贵金属 Precious Metals
壳体材料 Housing Material	工程塑料/金属 Engineering Plastics or Metals
过孔内径 Through Bore Diameter	12.7mm、25.4 mm、38.1 mm、50 mm (其余尺寸可定制)
外径 Outside Diameter	54 mm、78 mm、99 mm、120 mm (其余尺寸可定制)
防护等级 Protection level	标准IP51, 可选IP54, IP65 Standard: IP51, Optional: IP54, IP65