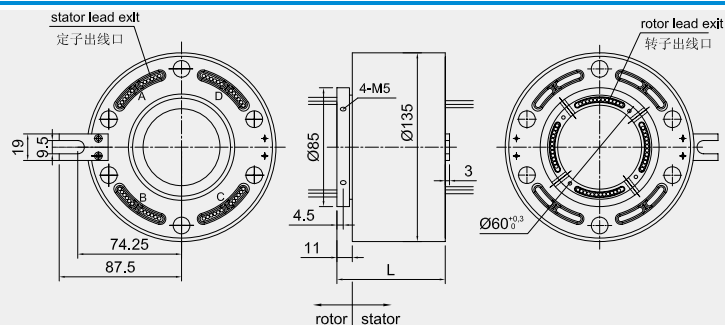


# SRH60135 Series

## 外形尺寸 Outline Dimension



SRH60135



型号 Type	长度 ( L=mm )	额定电流 Rated Current		总路数 Total No. of Circuits
		功率P(10A、15A或20A)	信号S(5A)	
SRH60135-6P	77.5	6	—	6
SRH60135-12S	77.5	—	12	12
SRH60135-12P	107.5	12	—	12
SRH60135-6P/12S	107.5	6	12	18
SRH60135-24S	107.5	—	24	24
SRH60135-18P	137.5	18	—	18
SRH60135-12P/12S	137.5	12	12	24
SRH60135-6P/24S	137.5	6	24	30
SRH60135-36S	137.5	—	36	36
SRH60135-24P	167.5	24	—	24
SRH60135-18P/12S	167.5	18	12	30
SRH60135-12P/24S	167.5	12	24	36
SRH60135-6P/36S	167.5	6	36	42
SRH60135-48S	167.5	—	48	48
SRH60135-30P	197.5	30	—	30
SRH60135-24P/12S	197.5	24	12	36
SRH60135-18P/24S	197.5	18	24	42
SRH60135-12P/36S	197.5	12	36	48
SRH60135-6P/48S	197.5	6	48	54
SRH60135-60S	197.5	—	60	60
SRH60135-36P	227.5	36	—	36
SRH60135-30P/12S	227.5	30	12	42
SRH60135-24P/24S	227.5	24	24	48
SRH60135-18P/36S	227.5	18	36	54
SRH60135-12P/48S	227.5	12	48	60
SRH60135-6P/60S	227.5	6	60	66
SRH60135-72S	227.5	—	72	72
SRH60135-42P	257.5	42	—	42
SRH60135-36P/12S	257.5	36	12	48
SRH60135-30P/24S	257.5	30	24	54
SRH60135-24P/36S	257.5	24	36	60
SRH60135-18P/48S	257.5	18	48	66
SRH60135-12P/60S	257.5	12	60	72
SRH60135-6P/72S	257.5	6	72	78
SRH60135-84S	257.5	—	84	84
SRH60135-48P	287.5	48	—	48
SRH60135-42P/12S	287.5	42	12	54
SRH60135-36P/24S	287.5	36	24	60
SRH60135-30P/36S	287.5	30	36	66
SRH60135-24P/48S	287.5	24	48	72
SRH60135-18P/60S	287.5	18	60	78
SRH60135-12P/72S	287.5	12	72	84
SRH60135-6P/84S	287.5	6	84	90
SRH60135-96S	287.5	—	96	96

可按客户需求定制到216通路  
Max 216 circuits available on request

## 电气技术指标 Electrical data

参数 Specification	数值 Values	
	功率 Power	信号 Signal
额定电压 Rated Voltage	380VAC	240VAC/VDC
绝缘电阻 Insulation Resistance	$\geq 1000M\Omega/500VDC$	$\geq 500M\Omega/500VDC$
导线规格 Lead Size	AWG16镀锡铁氟龙或PVC绝缘 AWG16 tin plated, PTFE insulated or PVC	AWG22镀银铁氟龙绝缘 AWG22 silver plated, PTFE insulated
导线长度 Lead Length	标准500mm Standard 500mm	
绝缘强度 Dielectric Strength	500VAC@50Hz,60s	
动态电阻变化值 Electrical Noise	$< 0.01\Omega$	

## 机械技术指标 Mechanical data

参数 Specification	数值 Values
额定转速 Rated Speed	0~500 rpm
工作温度 Working temperature	-20°C – +80°C
工作湿度 Operating Humidity	60%RH 或更高 60%RH or higher
接触材料 Contact Material	贵金属 Precious metals
壳体材料 Housing Material	工程塑料或铝合金 Engineering Plastics or Aluminum
力 距 Torque	6环产品为0.1N·M,每增加6环加0.03N·M 0.1N·M for -6 version, 0.03N·M increased for every 6rings added
防护等级 Protection level	IP51

## 标准滑环导线色码表 Lead color code

色码	红RED	黄YEL	黑BLK	蓝BLU	绿GRN	白WHT	紫PUP	灰GRY	棕BRN	橙ORN	深蓝DBLU	土黄KHK
6路	1	2	3	4	5	6	-	-	-	-	-	-
12路	1	2	3	4	5	6	7	8	9	10	11	12
18路	1 13	2 14	3 15	4 16	5 17	6 18	7	8	9	10	11	12
24路	1 13	2 14	3 15	4 16	5 17	6 18	7 19	8 20	9 21	10 22	11 23	12 24
30路	1 13 25	2 14 26	3 15 27	4 16 28	5 17 29	6 18 30	7 19	8 20	9 21	10 22	11 23	12 24
36路	1 13 25	2 14 26	3 15 27	4 16 28	5 17 29	6 18 30	7 19 31	8 20 32	9 21 33	10 22 34	11 23 35	12 24 36
42路	1 13 25 37	2 14 26 38	3 15 27 39	4 16 28 40	5 17 29 41	6 18 30 42	7 19 31	8 20 32	9 21 33	10 22 34	11 23 35	12 24 36
48路	1 13 25 37	2 14 26 38	3 15 27 39	4 16 28 40	5 17 29 41	6 18 30 42	7 19 31 43	8 20 32 44	9 21 33 45	10 22 34 46	11 23 35 47	12 24 36 48